

FCI CONFIDENTIAL

FCI
FCIconnect.com
This document is the property of and embodies CONFIDENTIAL and PROPRIETARY information of FCI. No part of the information shown on this document may be used in any way or disclosed to others without the written consent of FCI. Copyright FCI.

PRODUCT NO.	RESIST	FRAME COLOR
62197-001	YES (STYLE 1)	BLACK
62197-011	YES (STYLE 1)	PASTEL TURQUOISE
62197-003	YES (STYLE 2)	BLACK

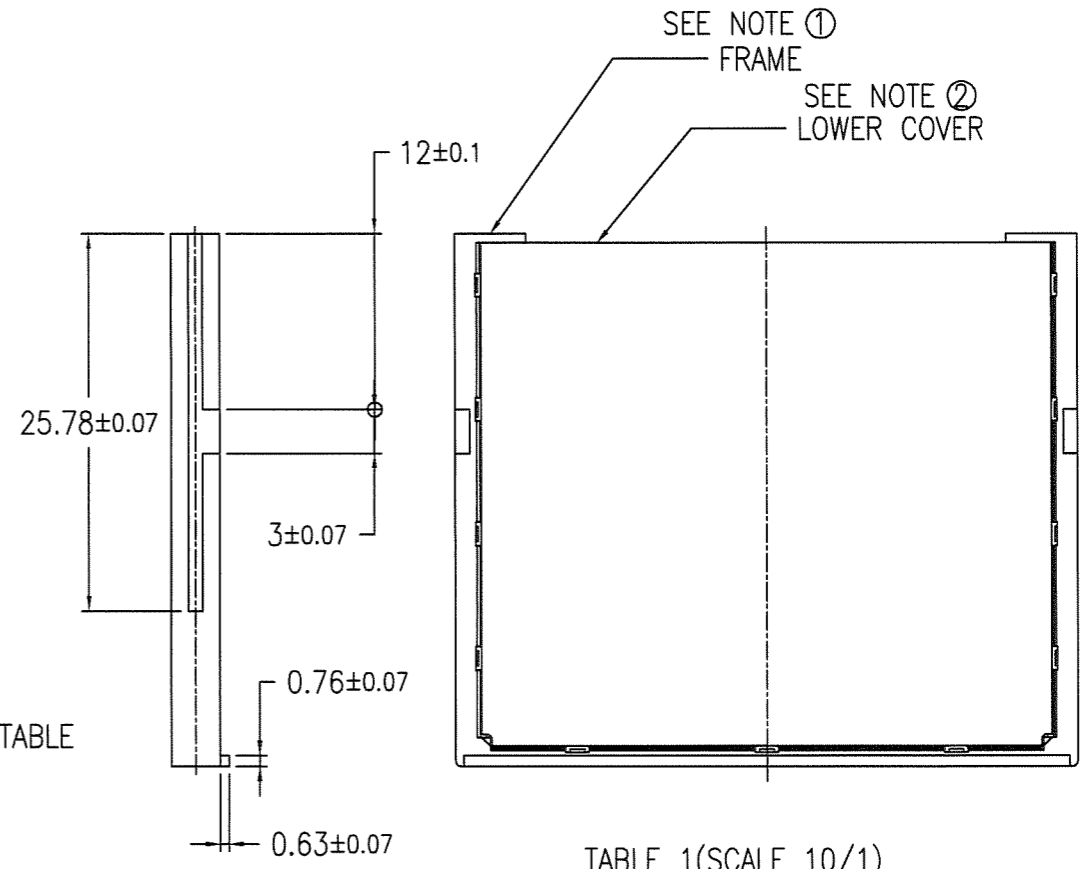
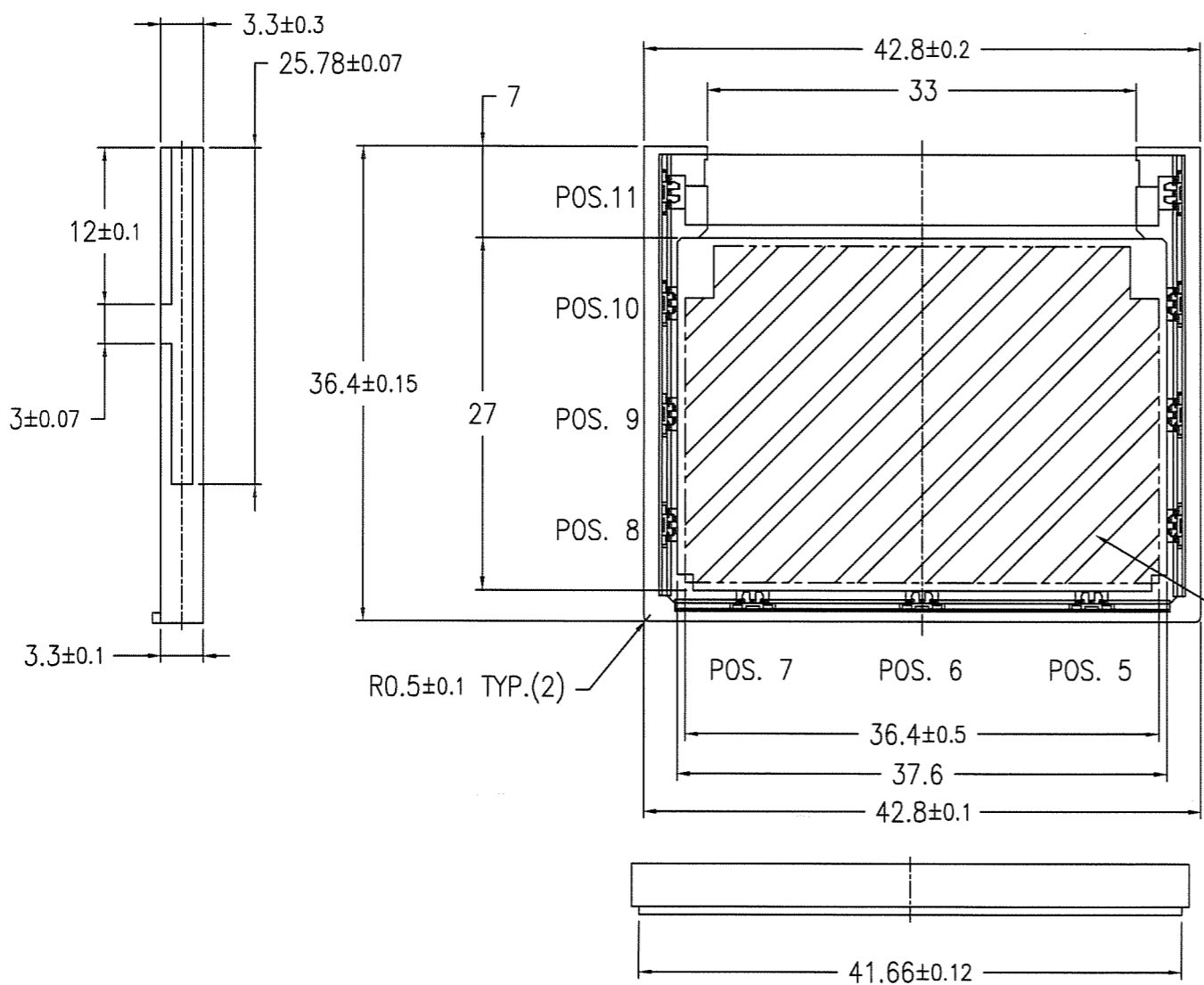
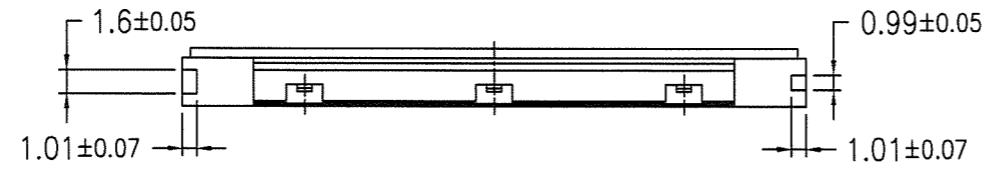


TABLE 1(SCALE 10/1)

POS, 1,5,6,7,11	POS, 2,3,4,8,9,10

NOTE
 ①FRAME MAT'L : PBT G 30%, UL 94V-0
 ②LOWER COVER MAT'L : SUS304 CPS 1/2H, t=0.2mm
 ③RESIST : PRINTED MATTER, GREEN, t=0.02mm
 4.STORAGE TEMPERATURE : -20~60°C
 5.COVER SHALL BE MATED WITH FRAME AS SHOWN IN TABLE 1.

mat'l. code				surface		tolerance		projection		product family		CODE
SEE NOTE				ISO 1302		ISO 406 ISO 1101		mm		5B0F - CARD SHIELDS		JP
ltr	description	ecn no	dr	date	tolerances unless otherwise specified	linear	0.X	mm	title			
1	SKETCHED		HS	12/22/'97	angles	0.XX	±0.3	scale 2:1	COMPACT FLASH SEMI-ASSY			
2	REVISED		HS	4/14/'98	0'±2'	0.XXX			dwg no		sheet 1 of 2	size
A	RELEASED	J80211	HS	5/ 8/'98	dr	R. Shown	1/29/07		62197		A3	
B	REVISED	J80319	HS	8/18/'98	enr	R. Shown	1/29/07		type		Product Customer Drawing	Rev.
C	REVISED	J00645	HS	8/ 1/'00	chr		1/20/07					E
D	ADDED NEW P/N	J20634	HS	12/ 9/'02	appd	S. Qudan	1/20/07					
E	REVISED	J07-0045	RS	1/25/'07								
sheet index	revision sheet	E	D	1	2							

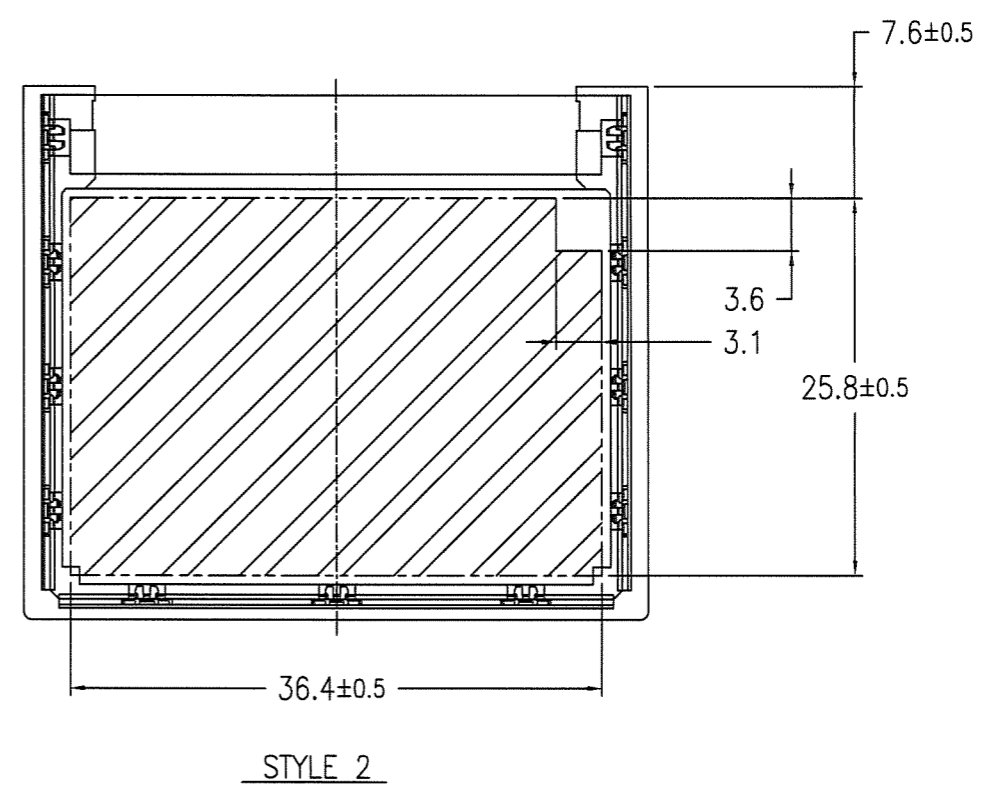
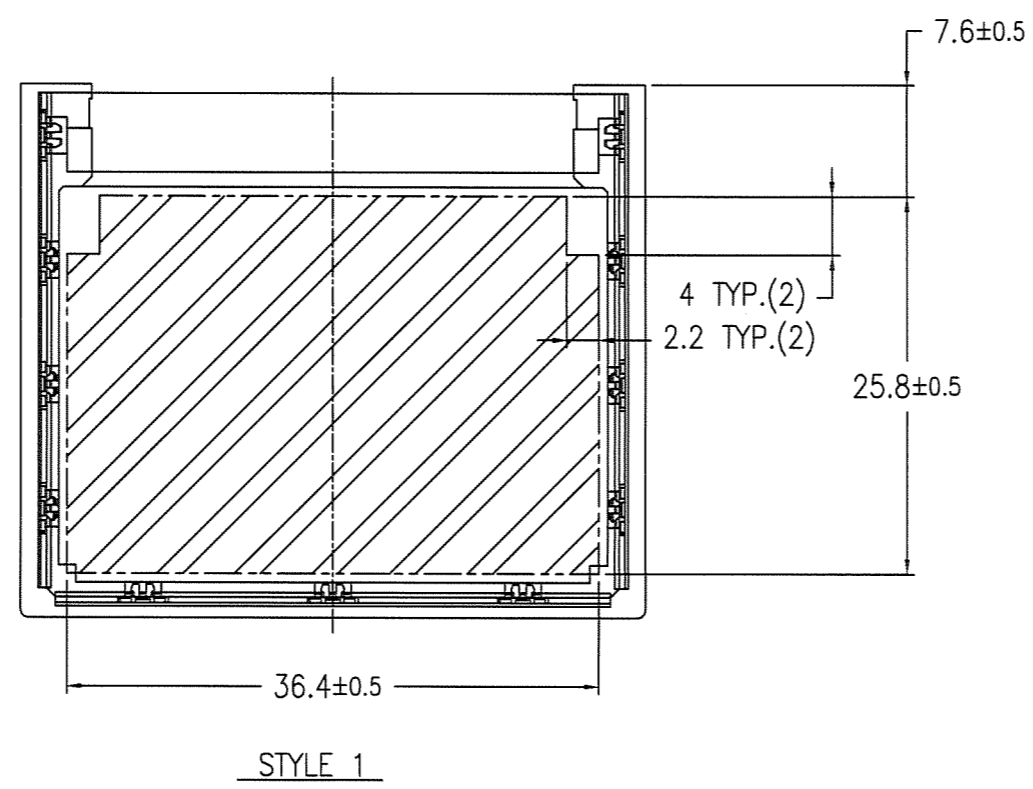
This document is the property of and embodies CONFIDENTIAL and PROPRIETARY information of FCI. No part of the information shown on this document may be used in any way or disclosed to others without the written consent of FCI. Copyright FCI.

FCI CONFIDENTIAL



FCIconnect.com

PRODUCT NO.	RESIST	FRAME COLOR
62197-001	YES (STYLE 1)	BLACK
62197-011	YES (STYLE 1)	PASTEL TURQUOISE
62197-003	YES (STYLE 2)	BLACK



mat'l. code SEE_NOTE				surface ISO 1302 ✓		tolerance ISO 406 ISO 1101		projection 		product family 5B0F - CARD SHIELDS		CODE JP
ltr description ecn no dr date				tolerances unless otherwise specified		mm		title		COMPACT FLASH SEMI-ASSY		
A	REVISED	J80319	HS	8/18/98	angles	linear	0.X	scale 2:1	dwg no sheet 2 of 2 size 62197 A3			
B	REVISED	J00645	HS	8/ 1/00			0.XX ±0.3					
C	ADDED NEW P/N	J20634	HS	12/ 9/02	0°±2'		0.XXX					
D	REVISED	J07-0045	RS	1/25/07	dr	R. Showi 1/29/07						
					enr	R. Showi 1/29/07			type Product Customer Drawing			
					chr	J. Maloney 1/30/07			Rev. D			
					app	S. Maloney 1/30/07						
sheet index	revision sheet											